

TERMINALS PUE 5.15, PUE 5.19



release date 15-11-2012



Cutting edge terminals PUE 5.15 and PUE 5.19 series are continuation of a well establish model line PUE 5 and the offer far greater application possibilities comprised in two solutions:

- **PUE 5.15** (featuring a panoramic 15,6" touch screen display operating with resolution 1366 x 768 pixels);
- **PUE 5.19** (featuring a 19" touch screen display operating with resolution 1280 x 1024 pixels).

The terminals are intended for designing scales with maximum resolution of 6000 e. PUE 5.15 and PUE 5.19 series, similarly to the basing model, are enclosed in a stainless steel housing which allows for reaching the highest IP rating, i.e. IP 67. The terminals are powered by mains 100 ÷ 240 V AC, 50÷60 Hz.

The terminals come standard with interfaces: 2 x RS232, 1 x RS485, 1 x Ethernet, 4 x USB 2.0.

PUE 5.15 and PUE 5.19 series can be extended by additional 3 weighing modules for simultaneous operation of maximum 4 weighing platforms.

Technical data:

	PUE 5.15	PUE 5.19
Housing	stainless steel	
IP rating	IP67	
Display	LCD 15,6" (1366x768)	LCD 19" (1280x1024)
Panel operation	Infrared controlled panel	Infrared controlled panel
Power supply	100 ÷ 240V AC 50 ÷ 60Hz	
Power consumption	50W	
Working / Storage temperature	work 0°C ÷ +40°C, storage -20°C ÷ +60°C	
Maximum quantity of divisions from converter	8 388 608	
OIML class	III	
Maximum quantity of verifying units	6 000	
Maximum signal increment	19,5 mV	
Maximum voltage per 1 verification unit	3,25 µV	
Minimum voltage per 1 verification unit	0,4 µV	
Minimum load cell impedance	80 Ω	
Maximum load cell impedance	1200 Ω	
Power voltage on load cell	5 V	
Load cells connection	4 or 6 conductors (shielded)	
Processor	Intel® Atom™ D525 Dual-Core 1.8 GHz	
Chipset	Intel® GMA 3150, Intel® ICH8M	
RAM memory	2 GB DDR3 800 MHz	
Data memory	HDD 160GB SATA or SSD 60 GB	
Graphic card memory	max. 224 MB	
Ethernet	1 x 10/100/1000 Mbit (*)	
Serial interfaces	2 x RS 232 (**), 1 x RS 485	
USB port	4 x USB 2.0 (load-carrying capacity up to 500mA)	
OS	Microsoft Windows 7 Embedded	
ACCESSORIES:		
Additional weighing platform module	additional 3 pieces (metrological parameters as in the main weighing platform)	
Inputs / Outputs	4 inputs, 4 outputs	
Interface Profibus DP	operation mode: slave (***)	

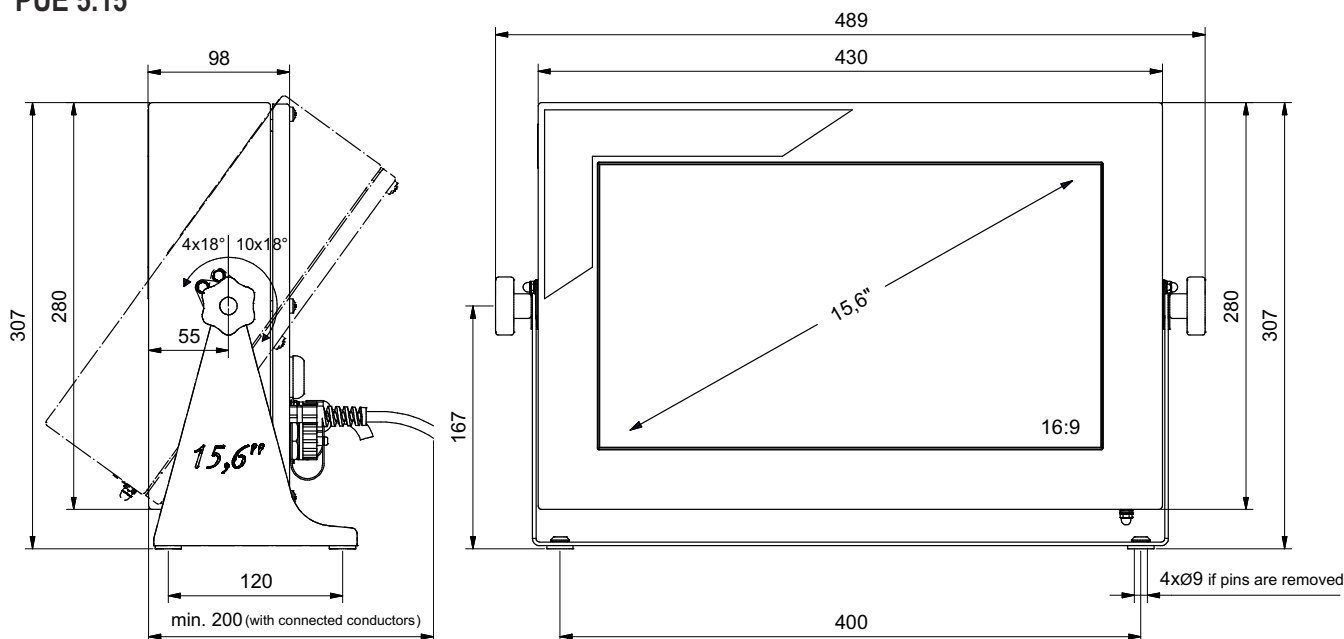
* - expandable by 2 Ethernet interfaces installed interchangeably with other interfaces (increased as replacement of other interfaces)

** - extendable by 3 RS 232 interfaces installed interchangeably with other interfaces (increased as replacement of other interfaces)

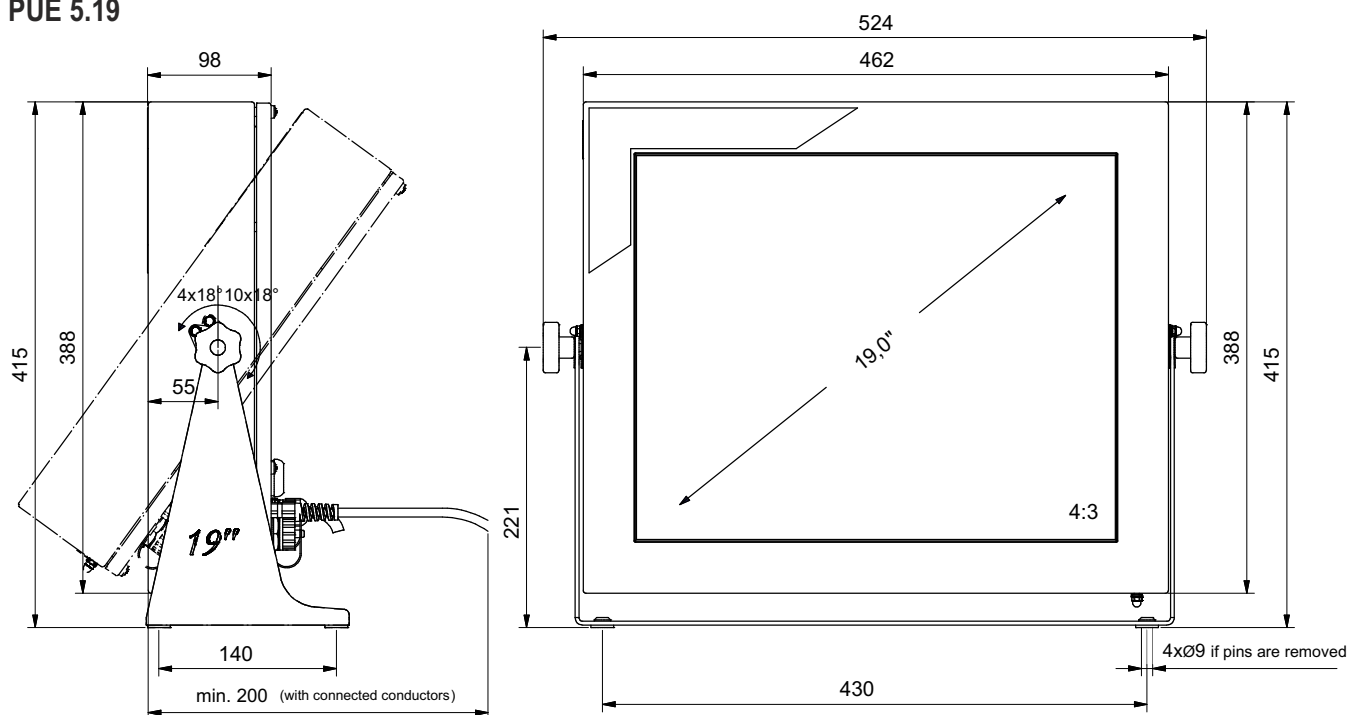
*** - Interface Profibus DP is installed interchangeably with the RS 485 interface (they do not occur simultaneously!)

Dimensions:

PUE 5.15



PUE 5.19



Additional equipment:

EPSON TM-U220D – basic version

EPSON TM-U220B – with paper cutter

EPSON TM-U220A – with paper cutter and copy winder

CITIZEN CL-S521

CITIZEN CL-S621

CITIZEN CL-S631

CITIZEN CL-S700

LS2208 – basic scanner for standard operating conditions

PowerScan D8330 – scanner for hard operating conditions IP56

PowerScan M8300 – scanner for hard operating conditions IP56 radio version

Transponder card scannerCK-01

Cable PT0212 – Ethernet

Cable PT0087 – for EPSON, CITIZEN printers and other on USB

Cable PT0019 – for EPSON, CITIZEN printers, via Rs232

Cable PT0094 – cable RS232C Db9

Cable PT0020 – cable Rs232

Cable PT0213 – for PRINT, TARE, START buttons