



## SBX1KL500-2500

SBX-1KL SERIES SHEAR BEAM LOAD CELLS, from 500kg to 2500kg



Stainless steel approved shear beam load cells, suitable for creating CE-M approved scales with 4 load cells, or for weighing tanks and hoppers, with the aid of its accessories.

---

**CAPACITIES (kg):** 500, 1000, 2000, 2500.

---

**OIML R60. C3** precision class.

---

**Stainless steel. IP68** protection.

---

**The best solution  
for advanced industrial  
applications**

## MAIN FEATURES

- C3 PRECISION CLASS
- STAINLESS STEEL CONSTRUCTION WITH LASER WELDING
- IP68 PROTECTION, IP69K UPON REQUEST
- MAX. CAPACITIES FROM 500 TO 2500 kg
- SHIELDED CONNECTION CABLE
- TEST CERTIFICATE AVAILABLE UPON REQUEST

## TECHNICAL FEATURES

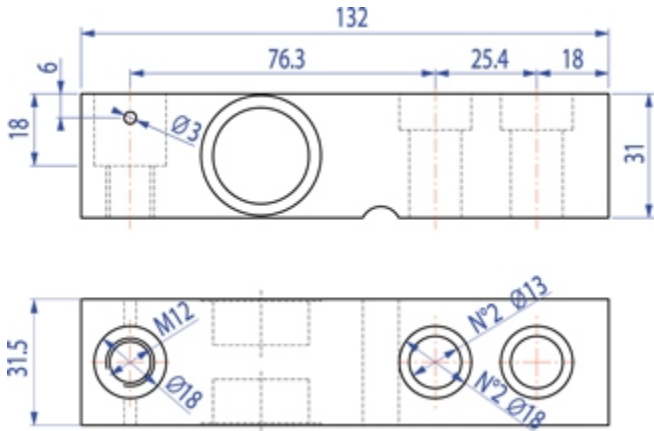
- Minimum load cell verification interval  $V_{min} = E_{Max} / 10.000$
- Maximum number of verification intervals  $n_{LC} = 3000$
- Combined error 0,017% of Full Scale Output (F.S.)
- Full Scale Output 2mV/V +/- 0.5%
- Temperature effect on zero 0,002% / °C
- Temperature effect on full scale output 0,002% / °C
- Compensated Temperature Range -10°C/+50°C
- Operating Temperature Range -20°C/+60°C
- Creep error after 30 minutes 0,02% F.S.
- Maximum tolerated excitation voltage 15 VDC
- Input Resistance  $1100 \pm 20$  Ohm
- Output Resistance  $1000 \pm 20$  Ohm
- Insulation Resistance >5000 MOhm
- Safe Overload 150% F.S.
- Ultimate Overload 300% F.S.
- 6-wire shielded cable, 5m long, 5 mm diameter

## ATEX VERSION

- The CCATEX certificate makes the load cell suitable for use in hazardous areas with protection methods according to:  
ATEX II 1G Ex ia IIC T6 (Ta -20÷+40°C) TX (Ta -20÷+65°C) Ga  
ATEX II 1D Ex ta IIIC TX°C (Ta -20÷+40°C) TX°C (Ta -20÷+65°C) Da IP65.  
The certificate includes the manual and the ATEX CE conformity declaration (available in EN, DE, FR, and IT).
- **IMPORTANT:** the certificate refers to the single load cell. For systems with more load cells, it is necessary to order one certificate for each load cell.

## DIMENSIONS - DECODING STANDARD CABLE

- NOTE: dimensions in mm



- Decoding of the standard cable colours

Colour	Function
--	SHIELD
YELLOW	OUTPUT +
GREY	SENSE +
BROWN	INPUT +
WHITE	OUTPUT -
GREEN	INPUT -
PINK	SENSE -

## VERSIONS

### Available versions

Codice	Max (kg)
SBX500-1KL	500
SBX1000-1KL	1000
SBX2000-1KL	2000
SBX2500-1KL	2500



MWS LTD

UNIT 6, MEER END - LE4 3EH - BIRSTALL - LEICESTER - UNITED KINGDOM

Tel. 08452602602

Fax. 0044-08452602612

E-mail [sales@mws.ltd.uk](mailto:sales@mws.ltd.uk)

Web [www.mws.ltd.uk](http://www.mws.ltd.uk)