

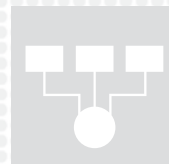


Your partner in inspection and quality control



metal detector

MFS11



Your partner in inspection and quality control



go to the web-page dedicated to this product



metal detector

MFS11

Equipment

- Digital electronics with alphanumeric graphic display
- 3 levels password access protection
- Principle of operation: digital with bidimensional image
- Working multifrequency
- 100 storable product programs
- One RS232 C serial port
- Phase adjustment function
- Function and process alarm output
- High immunity to environmental interferences
- Fail-safe mode
- Very high sensibility to all magnetic and not magnetic metals, stainless included
- Visualization of product image
- Total printouts
- Automatic balancing
- Self-check function
- OK pcs. and rejects totalizer
- Report archive
- Date/Time function
- Automatic product compensation (Tracking)
- Adjustable speed
- In conformity with ISO - FDA - HACCP - GMP regulations
- Production data management in conformity with the standards in force

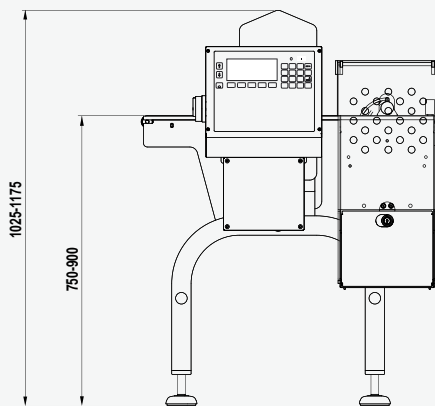
Optional

- Rejection systems
- Reject management systems
- Wind-prevention tunnel
- Alarms notification
- Wheels
- Separated electronic equipment
- Ethernet interface
- USB interface
- Ejection synchronism photocell
- Ejection check photocell
- Products programs memory expansion
- FAT/SAT, IQ/OQ validations

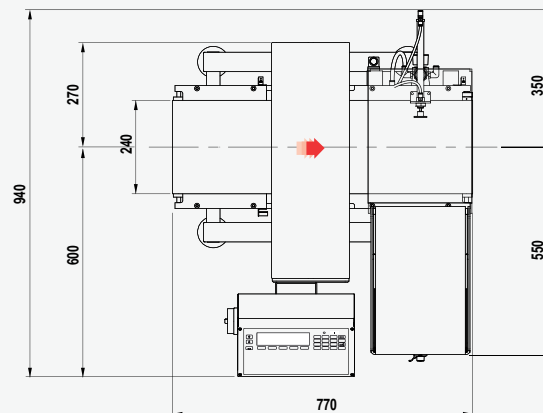
Technical Specifications

MFS11

| | |
|---------------------------------|---|
| Weighing range | up to 3200 g |
| Linear speed | up to 100 m/min |
| Pneumatic supply | 0,6 Mpa |
| Power supply | 230V 50/60Hz single phase |
| Power consumption | 650 W |
| Mirror finishing of metal parts | Stainless Steel IP54 - IP65 |
| Climatic environment | from 5°C up to +40°C non-condensing (closed) |
| Regulations | Conformity with CE regulations and with international standards for Electrical Safety and Electromagnetic Compatibility |



RUNNING DIRECTION TO CLIENT'S SPECS



The manufacturer reserves the right to change the product specifications without notice. The image and the drawing are indicative of one of the possible configurations of the machine.

PRISMA INDUSTRIALE S.r.l.

Via La Bionda, 17 - 43036 Fidenza - Parma - Italy • Tel. +39 0524 527270 - Fax +39 0524 524142
www.prismaindustriale.com • info@prismaindustriale.com